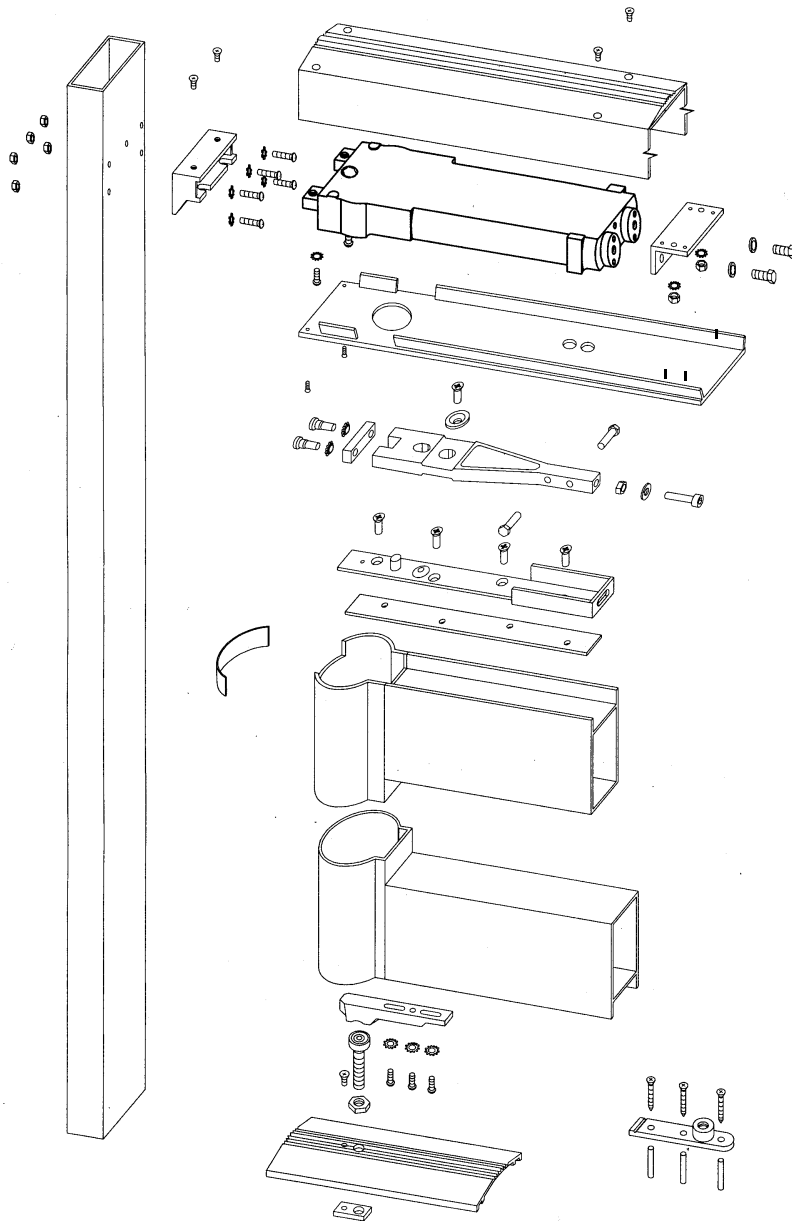


ARC-51N Overhead Door Closer for End Load Anti-Finger Trap Applications



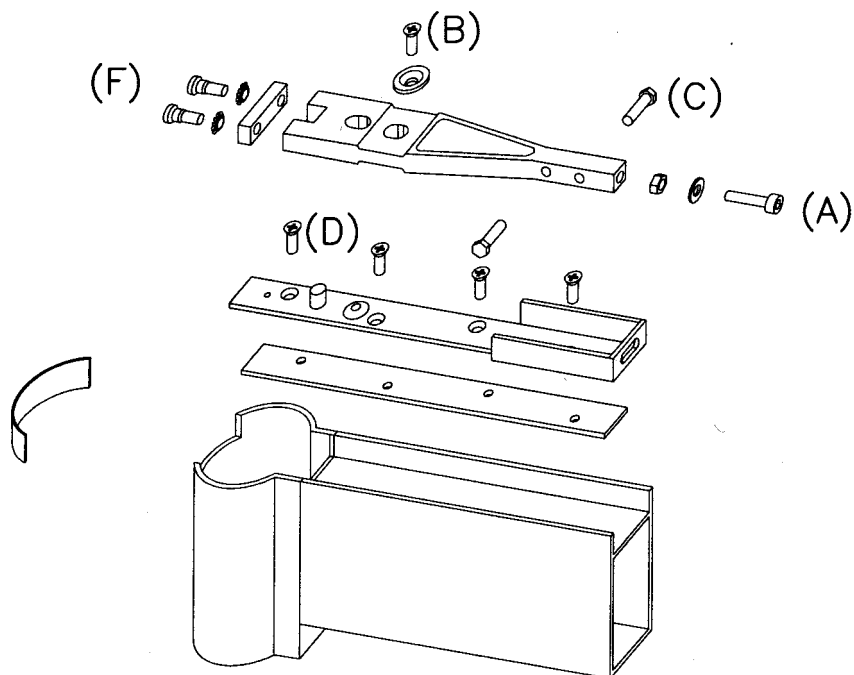
NOTE: The thread of all fixings should be applied with Loctite 222 or similar and securely fastened.

Contents

Concealed Overhead Door Closer for End Load AFT Applications - Double or Single Acting	page 1
End-Load AFT Top Arm and Channel, 70mm Pivot Point	page 2
Transom/Header Bar, 70mm Pivot Point	page 3
End-Load Bottom Pivot Assembly, 70mm Pivot Point	page 4

Adams Rite Europe Ltd, Moreton Industrial Estate, London Road, Swanley, Kent, UK, BR8 8TZ
 Tel: +44 (0)1322 668024 Fax: +44 (0)1322 660996 E-mail: info@adamsrite.co.uk www.adamsrite.co.uk

End-Load Arm Top and Channel, 70mm Pivot Point



Prepare the top rail of the door as detailed, ensuring that the internal faces of the stile and top rail have been cut away to enable the closer spindle to be engaged during door hanging.

Fit steel arm channel to the door top rail using the 4 No. M6 csk screws (D). Fit the 2No. alignment bolts (C) into the arm.

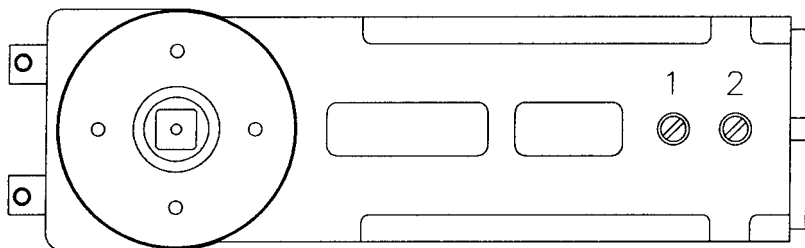
Place the arm into the channel and fit the large countersunk washer and socket head screw (B).

Slide the arm centrally over the small pivot point hole in the rear of the channel and adjust position with screw (A).

Fit the 2No Allen screws and the conical washers (F) after the door has been hung.
(see the section entitled To Erect The Door for details)

Tighten all fixings securely.

To Adjust The Door Closing Speed

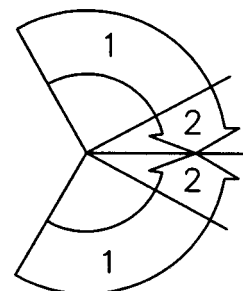


Closing Speed Adjustment



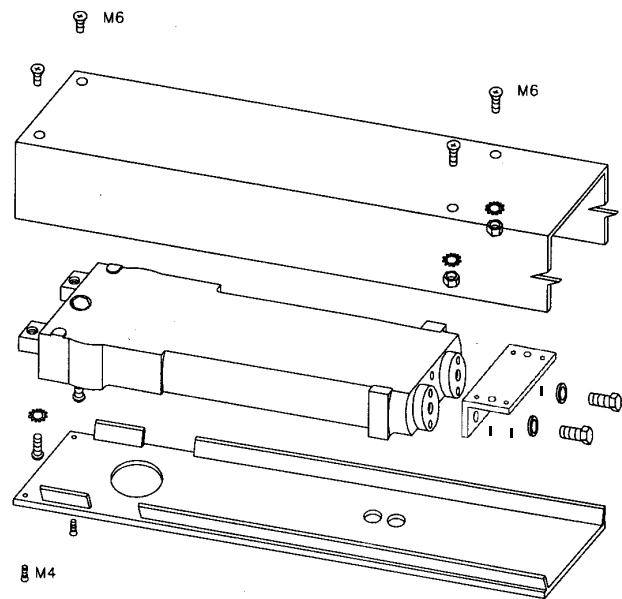
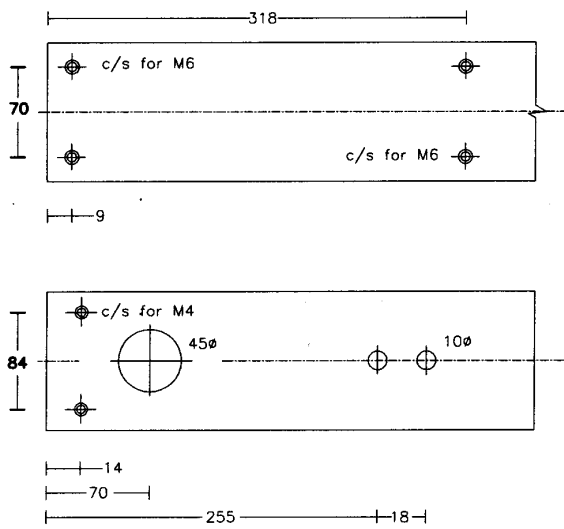
Turn Clockwise for Slower Speed
Anti-Clockwise for Faster Speed

Door Swing

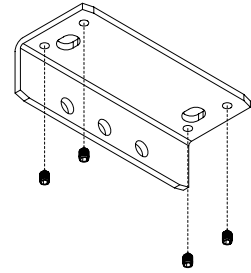


1. Closing Range
2. Latching Range

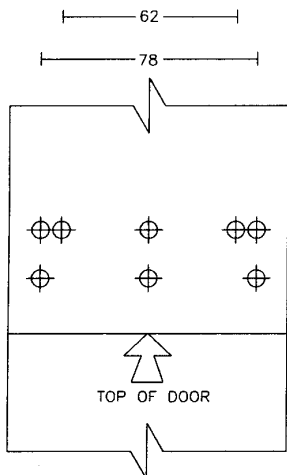
Transom/Header Bar, 70mm Pivot Point



Bracket.
Grub screws to be securely fastened once closer is in position.

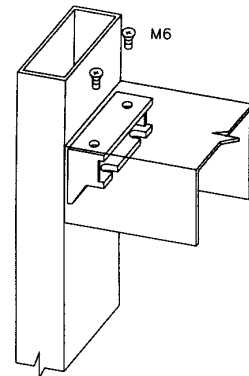
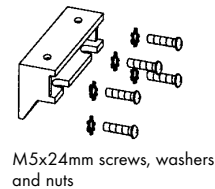
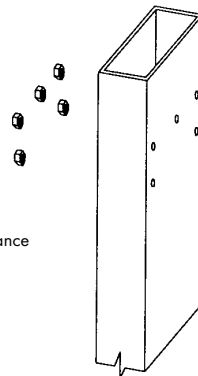


Hinge Jamb



Select fixing holes most suitable for section and drill clearance size for M5 screws

18
14
± 3mm clearance



Prepare transom/header bar and cover plate to accept closer as detailed below. Fit jamb bracket to jamb with the 5 No. M5x24mm screws, washers and nuts.

Drill clearance holes and countersink header bar for 2No. M6x10mm screws and 2No. M6x15mm CSK bolts.

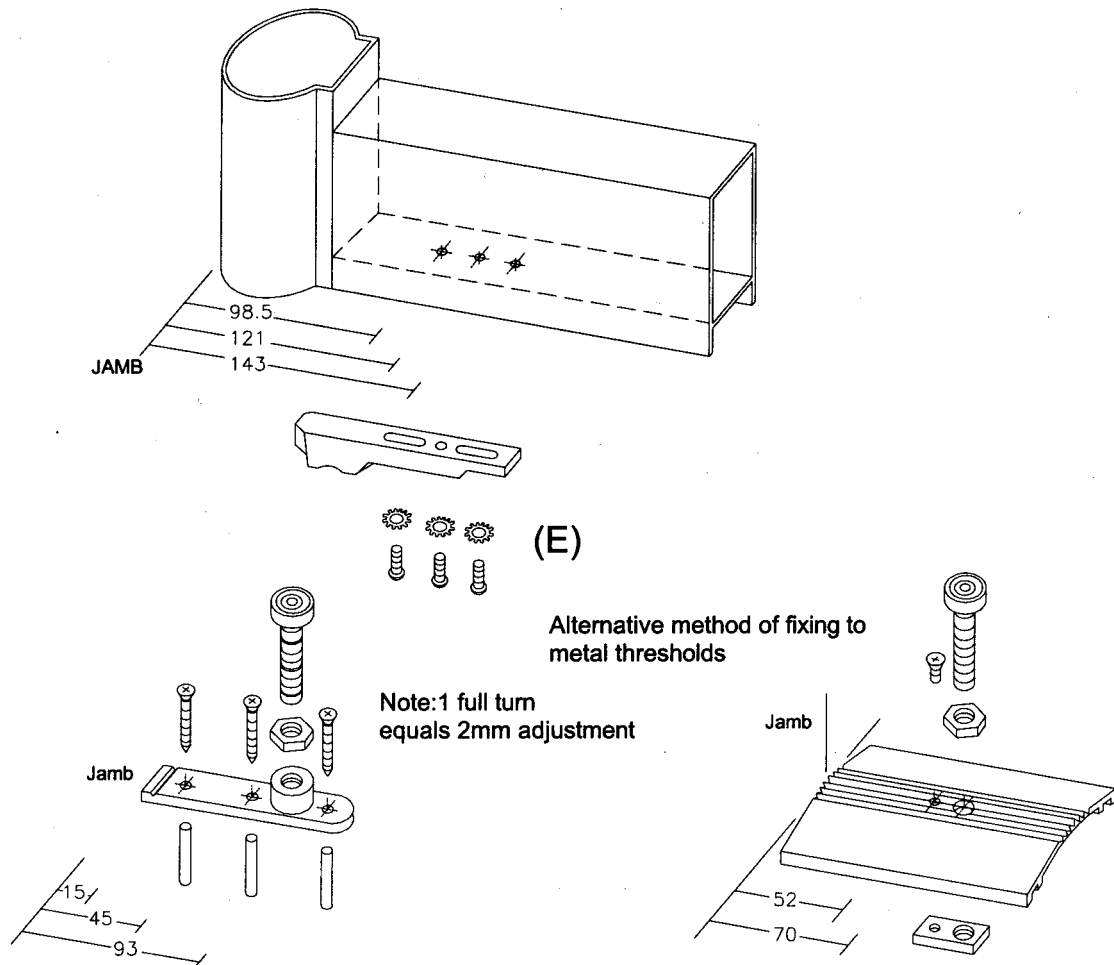
Fit steel angle bracket to header bar using the 2No. M6x15mm bolts, locking washers and nuts.

Locate the 2 fixing lugs into jamb bracket and raise the rear end of the closer into position.

Fit the 2No. M6x15mm Hexagon head bolts and flat washers through the angle bracket and the 2No. M6x15mm round head screws and lock washers in to the closer lugs.

Once the 70mm pivot centre has been achieved fasten the M6 bolts securely. Then tighten the 4 x M4 allen head grub screws for extra rigidity. Centralise the closer.

End Load Bottom Pivot Assembly, 70mm Pivot Point



Prepare the bottom rail of the door to accommodate the pivot shoe with 2No.drilled and tapped M6 holes at 98.5mm and 143mm centres.

Fit pivot shoe to underside of door, through the slotted holes with 2No. M6x10mm round head screws and lock-washers.

The centre hole should be drilled and tapped on site when correct alignment of the door has been achieved.
THIS FINAL FIXING MUST BE USED.

If an aluminium threshold is being used prepare as shown.

The 5mm thick plate is held in position by the M5 countersunk screw and the pivot bolt can be installed. Determine the correct height of the pivot and tighten the locknut.

If the bolt protrudes below the base of the threshold excess must be removed or the floor level drilled accordingly.

To Erect The Door

As supplied the square pivot of the closer sits in the central (closed) position. Using grips and suitable leverage rotate the square pivot to the 90 degrees position. In the case of an NHO closer wind the the closing speed adjuster in fully to give sufficient time to load the door into position.

Holding door at approximately 15 degrees position, lower onto the pivot bolt and swing the door into the vertical position locating the closer spindle into the arm recess.

Note: To ease the hanging of single action doors it may be necessary to temporarily remove the door stop if already fitted.

Wedge the door in position and fit the arm clamp block with the 2 No. socket head screws and conical lock washers (F).

Use Allen key provided to tighten block down securely.

Fit tag plate to top rail cut-out. Align door to jamb and meeting stile by adjusting bolts (C).

Fit final fixing screw in bottom pivot shoe and tighten all fixings securely.